



# MICROWAVE COMPONENT

## KU-BAND & C-BAND

### WAVEGUIDE ISOLATORS

#### APPLICATIONS

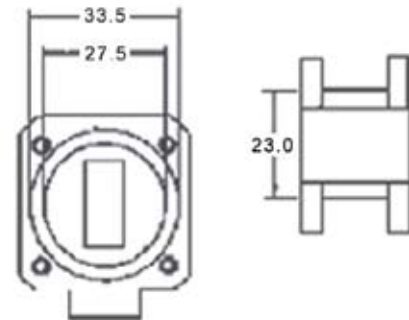
Norsat's C-Band and Ku-Band Isolators are designed to ensure an overall system performance level by maintaining the noise figure of LNBS under varying load conditions. These compact units are easily installed between the feed and LNB. Designed to meet demanding professional requirements, these isolators are suitable for use with all Norsat LNBS and are ideal for 2-way VSATs, earth stations, uplink facilities and laboratory use.



#### TYPICAL SPECIFICATIONS

##### Ku-Band waveguide isolators

Frequency range	10.95 to 12.75 GHz
VSWR maximum	1.2 : 1
Isolation minimum	20 dB
Insertion loss maximum	0.15 dB
Waveguide Flange	WR-75
Weight	60 g / 2.1 oz



##### C-Band waveguide isolators

Frequency range	3.400 to 4.200 GHz
VSWR maximum	1.3 : 1
Isolation minimum	18 dB
Insertion loss maximum	0.3 dB
Waveguide Flange	CPR-229G
Weight	1.8 kg / 4 lb

