



ALCAD

AMPLIFICADORES MULTIBANDA
MULTIBAND AMPLIFIERS
AMPLIFICATEURS MULTIBANDE



SERIE 904 SERIES

CODIGO-CODE-CODE		9040039			
MODELO-MODEL-MODELE		CA-312			
Número de entradas/salidas Number of inputs/outputs Nombre d'entrées/sorties		4/2			
Rango de frecuencia Frequency range Gamme de fréquences	Band	BI/FM	BIII/DAB	UHF1	UHF2
	MHz	40-108	160-260	470-862	470-862
Ganancia Gain Gain	dB ± TOL	20 ±1,0	20 ±1,0	30 ±1,0	30 ±1,0
Regulación de ganancia Adjustable gain range Plage de réglage du gain	dB	20		16	
Nivel de salida Output level Niveau de sortie	dBµV	2 x 110 DIN 45004B 2 x 107 (IMD ₃ -66 dB) 2 x 100 (IMD ₂ -60 dB)			
Figura de ruido Noise figure Facteur de bruit	dB ± TOL	6,5 ±1,5		5,5 ±1,5	
Desacoplo Isolation Découplage	dB	≥13			
Tensión de salida Output voltage	V _{DC}	-		24	
Tensión de salida Tension de sortie	mA	-		50	
Tensión de red Mains voltage	V _~	230 ±10% ⁽¹⁾		50/60 Hz	
Tensión de sector Tension de secteur	VA	7			

DIN 45004B: 3 unequal carriers, IMD₃ at 60 dB

IMD₃ -66 dB: 3 unequal carriers, EN 50083-5

IMD₂ -60 dB: 2 equal carriers, EN 50083-5

⁽¹⁾ Bajo pedido 125 o 240 V_~

⁽¹⁾ Upon request 125 or 240 V_~

⁽¹⁾ Sur demande 125 ou 240 V_~

Data published in compliance with the definitions and measurement methods of the following standards: EN 50083-3, EN 50083-4 and EN 50083-5

CODIGO-CODE-CODE		9040039
MODELO-MODEL-MODELE		CA-312
Temperatura de funcionamiento Operating temperature Température de fonctionnement	°C	-10..+65
Índice de protección Proteccion index Indice de protection		IP 20

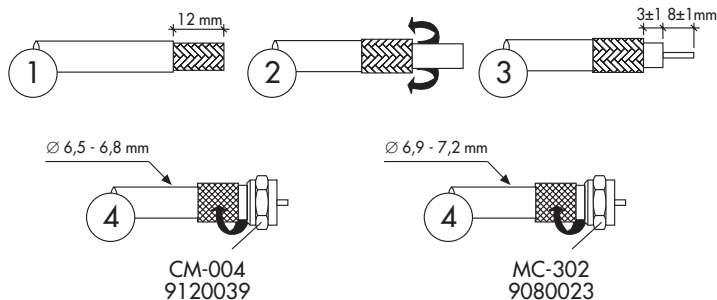
Se debe cargar la salida no utilizada con una carga RS-275 (COD. 9120011).
 The unused output should be loaded with an RS-275 (COD. 9120011) load.
 La sortie non utilisée doit être chargée avec une charge RS-275 (COD. 9120011).

REDUCCIÓN DEL NIVEL DE SALIDA
REDUCTION OF THE OUTPUT LEVEL
REDUCTION DU NIVEAU DE SORTIE

		NIVEL DE SALIDA / OUTPUT LEVEL / NIVEAU DE SORTIE										
Canales Channels Canaux		2	3	4	5	6	7	8	9	10	15	20
Nivel máximo Maximun level Niveau maximun	dBμV	110	108	106	105	105	104	104	103	103	100	100

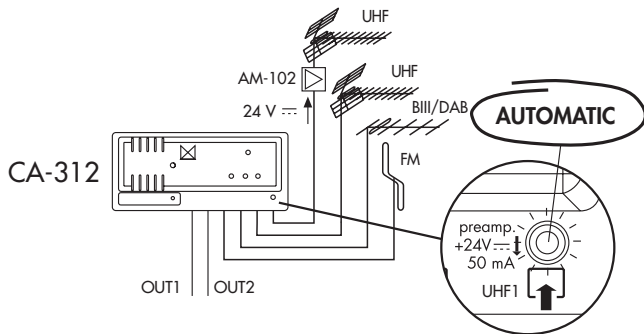
DIN 45004B

CÓMO PREPARAR LOS CONECTORES F HOW TO PREPARE THE F CONNECTORS COMMENT PRÉPARER LES CONNECTEURS F

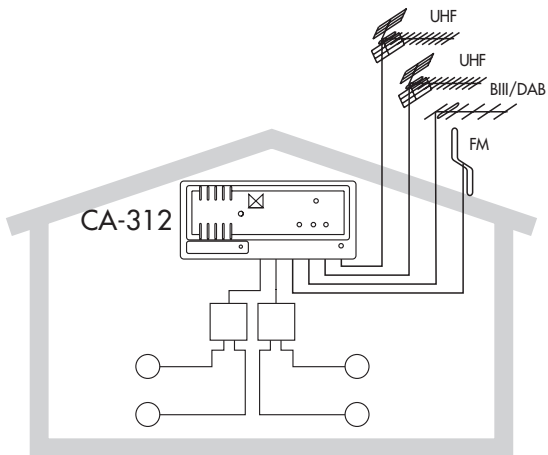


Los conectores se venden por separado.
The connectors are sold separately.
Les connecteurs a vendre séparément.

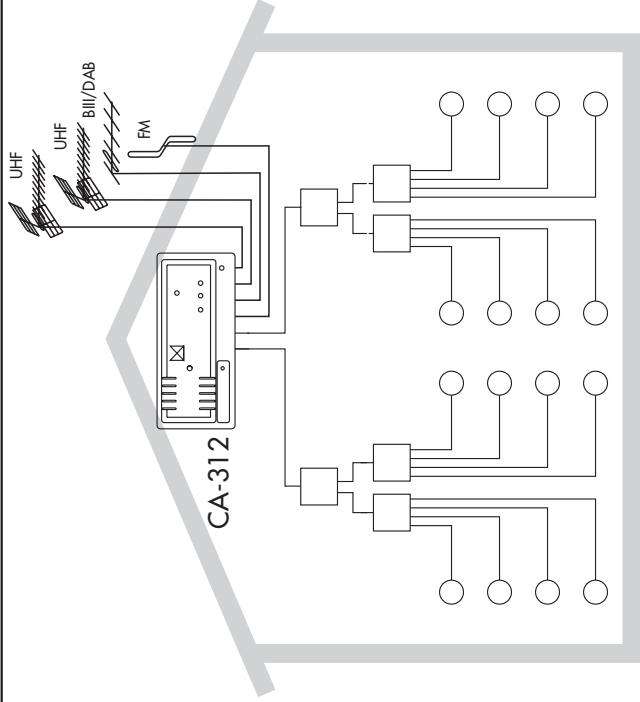
CÓMO ALIMENTAR UN PREAMPLIFICADOR HOW TO FEED A PREAMPLIFIER COMMENT ALIMENTER UN PREAMPLIFICATEUR



INSTALACIÓN INDIVIDUAL
INDIVIDUAL INSTALLATION
INSTALLATION INDIVIDUELLE



INSTALACION COLECTIVA
MATV COLLECTIVE INSTALLATIONS
INSTALLATION COLLECTIVE MATV





DECLARATION OF CONFORMITY

according to EN ISO/IEC 17050-1:2004

Manufacturer's Name: ALCAD, S.A.
Manufacturer's Address: Pol. Ind. Arreche-Ugalde, 1
Apdo. 455
20305 IRUN (Guipúzcoa)
SPAIN

declares that the product

Product Name: 904 Series: AMPLIFIERS

Model Number(s): CA-312

Product Option(s): INCLUDING ALL OPTIONS

is in conformity with:

Safety: EN 50083-1:1993

EMC: EN 50083-2:2001

Supplementary Information:

The product herewith complies with the requirements of the Low Voltage Directive 2006/95/CE and the EMC Directive 89/336/EEC and their relevant amendments, gathered under the directive 93/68/EEC.

Note: to comply with these directives, do not use the products without covers and operate the system as specified.



Irún,

31-01-07

Date

Anton Galarza / General Manager

Especificaciones sujetas a modificación sin previo aviso
Specifications subject to modifications without prior notice
Les spécifications sont soumises à de possible modifications sans avis préalable



ALCAD, S.A.
Tel. 943 63 96 60
Fax 943 63 92 66
Int. Tel. +34 - 943 63 96 60
info@alcad.net
Apdo. 455 - Pol. Ind. Arreche-Ugalde, 1
20305 IRUN - Spain

www.alcad.net

FRANCE - Hendaye
Tel. 00 34 - 943 63 96 60

GERMANY - Munich
Tel. 089 55 26 480

CZECH REPUBLIC - Ostrovacice
Tel. 546 427 059

UNITED ARAB EMIRATES - Dubai
Tel. 971 4 887 19 50



ISO 9001

